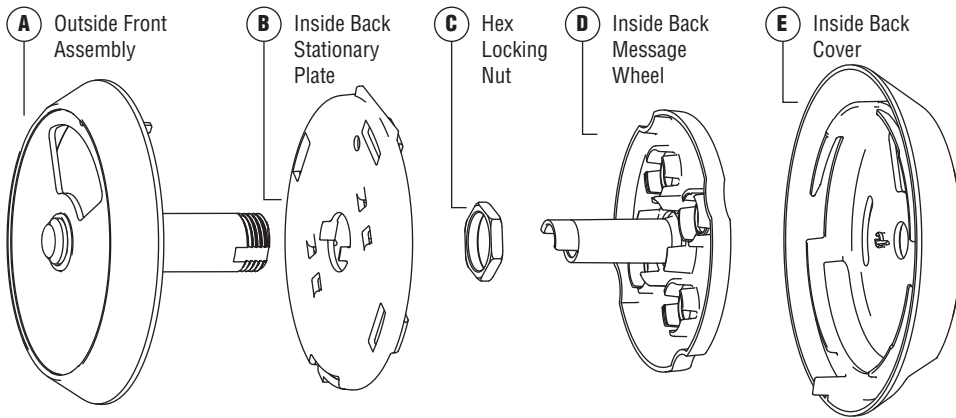


DOOR VIEW MANAGER™ (DVM) Installation Instructions

CSL Products for the Foodservice
and Hospitality Industry

Central Specialties Ltd. 815.459.6000 phone
220 D Exchange Drive 815.459.6562 fax
Crystal Lake, Illinois 60014 www.cs ltd.com

Door View Manager (DVM) Parts

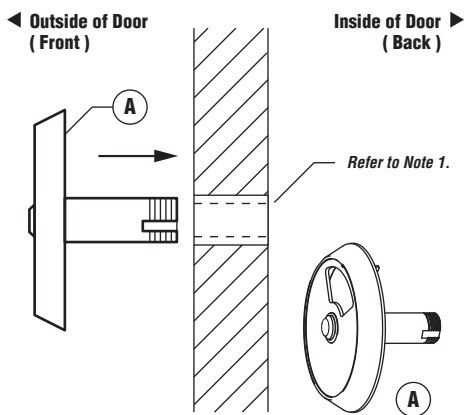


Tools Needed: Phillips head screw driver, small level, 7/8" open-end wrench, drill and custom 1/2" to 3/4" drill bit. (Drill bit provided by CSL.)

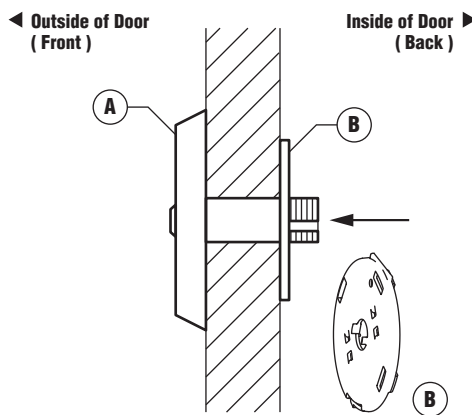
Note:

1: In order to install the Door View Manager (DVM), a 3/4" hole is required. If your door has an existing viewer, remove the old viewer. If the diameter of the remaining hole is only 1/2", use the CSL, provided, custom drill bit, to increase the hole size to 3/4".

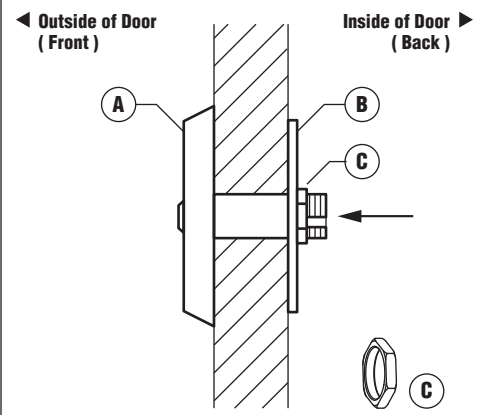
2: To remove the Inside Back Cover, insert a 5/64" hex Allen key into the hole located at the 6 o'clock position. Push the Allen key upward, while rotating the Inside Back Cover counter clockwise.



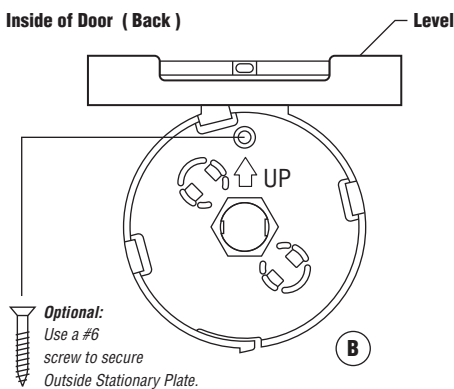
Step 1:
On the outside of the door, insert the **Outside Front Assembly (A)** into the 3/4" hole.



Step 2:
On the inside of the door, place the **Inside Back Stationary Plate (B)** over the shaft, protruding from the **Outside Front Assembly (A)**.

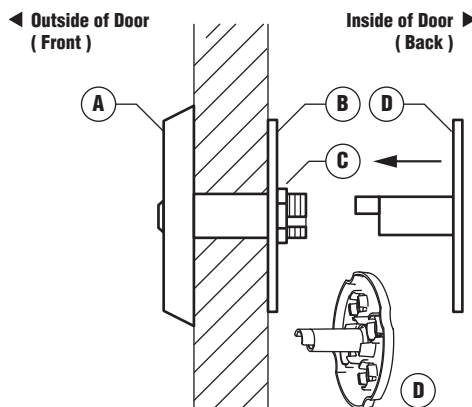


Step 3:
Assemble and finger tighten the **Hex Locking Nut (C)**, to hold the **Outside Front Assembly (A)** and **Inside Back Stationary Plate (B)** firmly in place.

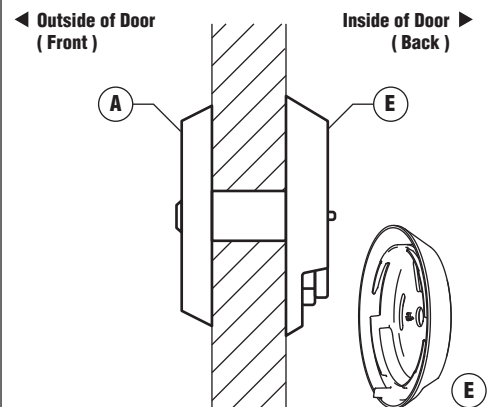


Optional:
Use a #6 screw to secure **Outside Stationary Plate**.

Step 4:
Place a small level on the flat top of the **Inside Back Stationary Plate (B)**, in order to level both inside and outside components.



Step 5:
Insert & rotate the **Inside Back Message Wheel (D)**. Allow the Inside Back & Outside Front Message Wheel components to engage.



Step 6:
With the **Inside Back Cover's** window at the 10-11 o'clock position, place the **Inside Back Cover (E)** over the **Inside Back Message Wheel (D)** and **Inside Back Stationary Plate (B)**.

Rotate the **Inside Back Cover (E)** clockwise, until it locks in place. Using the thumb indentations, rotate the inside wheel, to assure ease of movement.